

Mobility Enjoying full independence in your home



Capri

The elegant, comfortable and safe stairlift

VIMEC
Easy moving

VIMEC
Easy moving



Seated stairlift, ideal for personal comfort and staircase elegance.

For mobility in the home, choose the comfort and quality of Vimec Capri: with its unique technology and ability to turn corners, it is outstandingly compact, elegant and sturdy. Capri has immense personality: the most comfortable seat on the market, which gives top priority to the needs of those who use it every day.

■ Ease of Use

Up and down travel: the joystick on the armrest makes all operation automatic and convenient. The floor control boards are wireless and can be used to place the stairlift in the position required or call it to the floor.



Capri is the choice for the serene enjoyment of your home in freedom.

The **Capri** seat enriches the home with custom technology and discreet, silent elegance.

▀ Safety and comfort

You can move around exactly as you want, thanks to the various features included for your personal protection. The footrest, in non-skid material, is fitted with safety edges ensuring that the Capri will stop when obstacles are encountered.

At the destination floor the seat can be rotated by 75°, fully facilitating a safe, and convenient unloading: the gradual start and cushioned stop provide a smooth ride, with complete comfort for all users.

The wide range of seat and rail colours available, allow you to match your interior design scheme.

▀ Easy installation

The Capri stairlift is designed and manufactured to adapt perfectly to your staircase: this makes it easy to install and minimises installation procedures.



Minimum dimensions
with the foldable seat



A Capri seat always adapts to your home and adds value to your stairs

- Capri offers technology within reach of your staircase.
- Convenient, safe and suitable for every type of staircase.
- Minimum encumbrance.
- Vimec quality guarantee.
- Purchase and service consultancy throughout the Country.

■ Immensely flexible and space-saving

Designed for installation both on the outside (opposite the handrail side) and on the inside of the staircase (handrail side), this stairlift enables you to choose the layout best suited to your home's specific features.

No problems of space on the staircase: the footrest, seat and armrests all fold neatly away.

Capri Details



The practical joystick for easy intuitive use



Stop push button; your safety is always guaranteed thanks to the immediate stop



Remote control for floor selection



Seat release lever



Seat rotation to ensure smooth unloading.

Capri Customizations

seat cover



Beige - standard



Blue

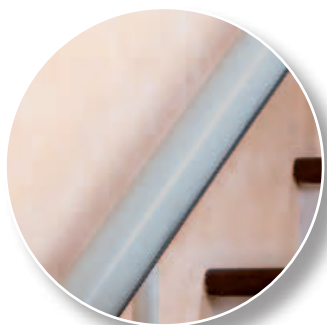


Red

rail colours



Cream white - Standard



Grey 7047



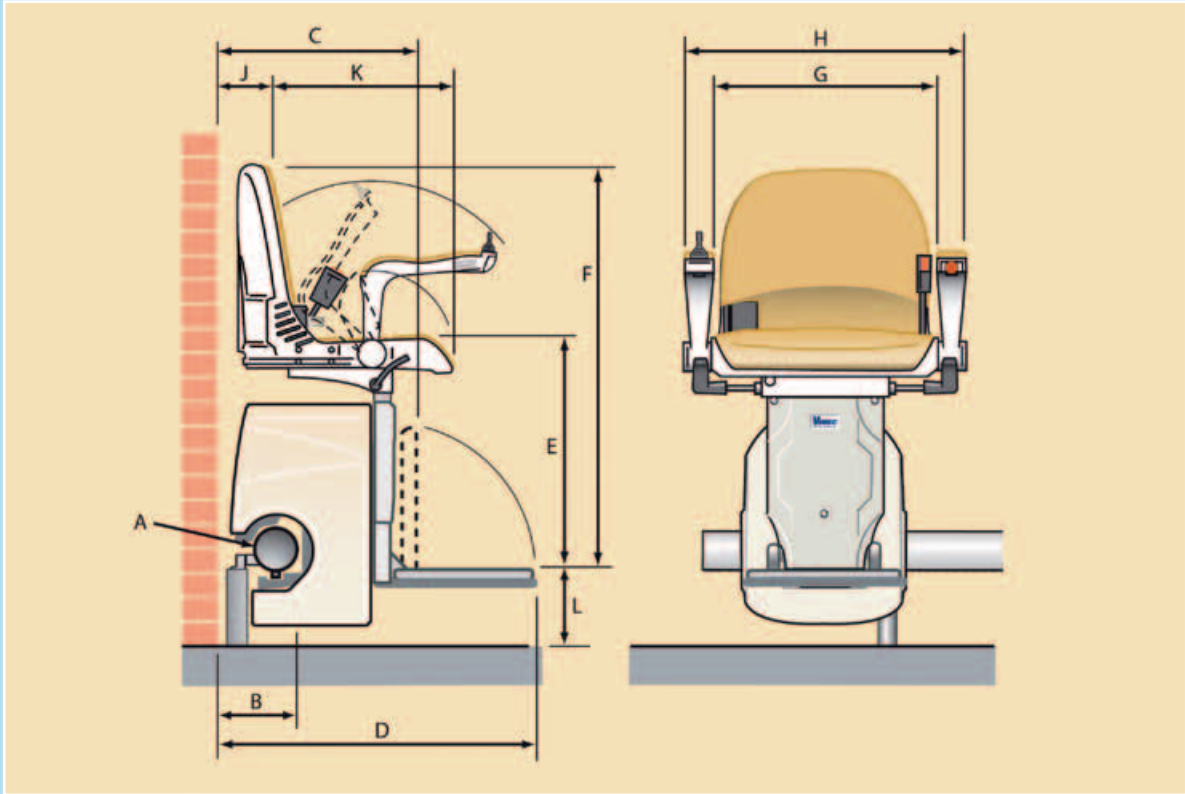
Brown 8024

An assortment of seat and rail colours are available, allowing you to style your Capri stairlift to match your interior design scheme.

CAPRI TECHNICAL SPECIFICATIONS

Supply voltage	230 VAC
Speed	0.15 m/s (max.)
Service life	15 rides per 24 hours / 10 rides continuous
Load (max)	125 Kg

The data are indicative and not binding. Vimec reserves the right to make any modifications considered necessary.



TECHNICAL SPECIFICATIONS:

	Diameter	
A: Rail dimensions	76 mm	
B: Distance from the external side (skirting board 30 mm)	170 mm	
or		
Distance from the internal side (skirting board 30 mm)	190-250 mm	
C: Width of the folded footrest	420 mm	
D: Width of the unfolded footrest (extended)	636 mm	
Width of the unfolded footrest (standard)	666 mm	
E: Distance between the footrest and the seat	484 mm	
F: Distance between the footrest and the top of the backrest	830 mm	
G: Distance between the armrests (inside)	475 mm	
H: Distance between the armrests (outside)	580 mm	
J: Distance between the backrest and the wall	100 mm	
K: Seat depth	380 mm	
L: Distance between upperside of footrest to the floor	133 mm	
In case of *drognose*	93 mm	
Minimum width of the stair for installation on the internal side	770 mm	
Minimum width of the stair for installation on the external side	740 mm	
Dimensions can change depending on the type of staircase and installation		



Vimec s.r.l. - Via Parri, 7 - 42045 Luzzara - Reggio Emilia - Italy

Tel. + 39 0522 970 666 Fax +39 0522 970918

www.vimec.biz export@vimec.biz

Vimec abroad: Madrid (Spain), London (United Kingdom),
Avignon (France), Warsaw (Poland)



AZIENDA CON SISTEMA QUALITÀ
CERTIFICATO DA DNV
=UNI EN ISO 9001/2000=

Vimec has been specialising since 1980 in the design and construction of stair climbers, stair lifts and lifting platforms to overcome architectural barriers, chairlifts for personal mobility and home lifts to improve domestic comfort. Vimec has over 50,000 installations in Italy and more than 30,000 abroad; it has a qualified purchasing and service network throughout the country, to ensure customised solutions for customer needs.



357/L

7510149-150111

Guaranteed product

The Vimec product is guaranteed for 24 months from the date of delivery to the customer; the guarantee can be extended by contacting the local service centres.

PSP: serving the partners

Partner Support Program: a Vimec exclusive for its partners, aiming to supply each of them, all over the world, with a series of personalised tools for developing their business and offering the end user better service. This programme includes an introduction to the concepts of "accessibility", specific classroom training courses and training in the field for sales staff and engineers, analysis and assistance for the development of the most appropriate market strategies, and backup for the organisation of seminars (e.g. for architects, civil engineering firms, etc.) and for participation at trade fairs. Close co-operation with its partners guarantees Vimec constant improvement of its knowledge of the various markets and their varying needs in terms of accessibility, which translates into the design of suitable products. All is oriented towards better management of customer relations, and the achievement of full customer satisfaction.